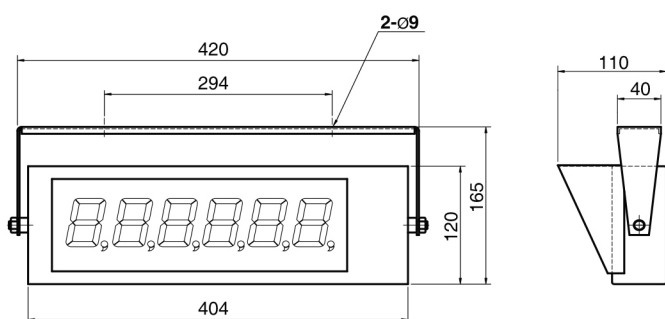




Series LDS67870

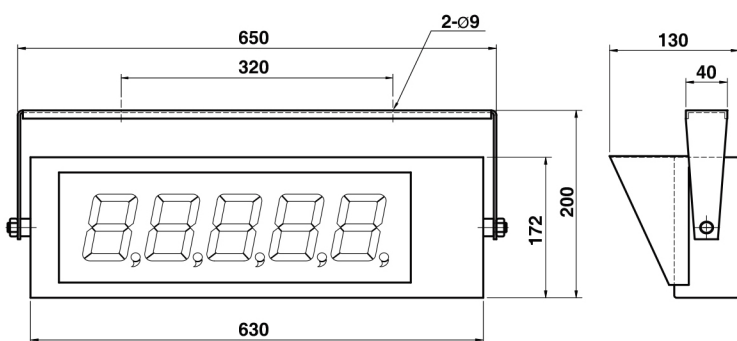


- High brightness LED (height 57mm)
- RS-232C, RS-422, Current Loop
- Wall mounting type
- Uniform brightness and wide angle viewing

SPECIFICATIONS

TYPE	LDS67870
Display	High brightness 2.3-inch 7-segment numeric LED display
Digit/Digit	6 Digits
Size of digit	56.9 mm High
LED color	Red
Interface	RS-232C, RS-422, Current loop
Operating temp.	-10 ~ 60 °C
Power supply	AC 110/220V, 1PH, 50/60 Hz or DC 12V
Power consumption	Appr. 2VA

Series LDS29980



- High brightness LED (height 100mm)
- RS-232C, RS-422, Current Loop
- Wall mounting type
- Uniform brightness and wide angle viewing

SPECIFICATIONS

TYPE	LDS29980
Display	High brightness 4-inch 7-segment numeric LED display
Digit/Digit	5 Digits
Size of digit	100 mm
LED color	Red
Interface	RS-232C, RS-422 Current loop
Operating temp.	-10 ~ 60 °C
Power supply	AC 110 ~ 240V, 1PH, 50/60 Hz or DC 12V
Power consumption	Appr. 3VA

* Specifications are subject to change without notice